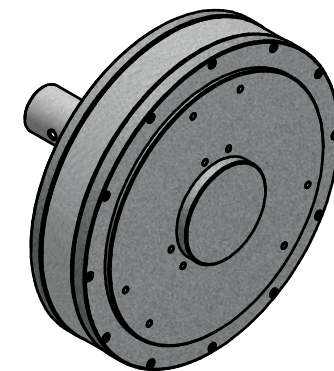
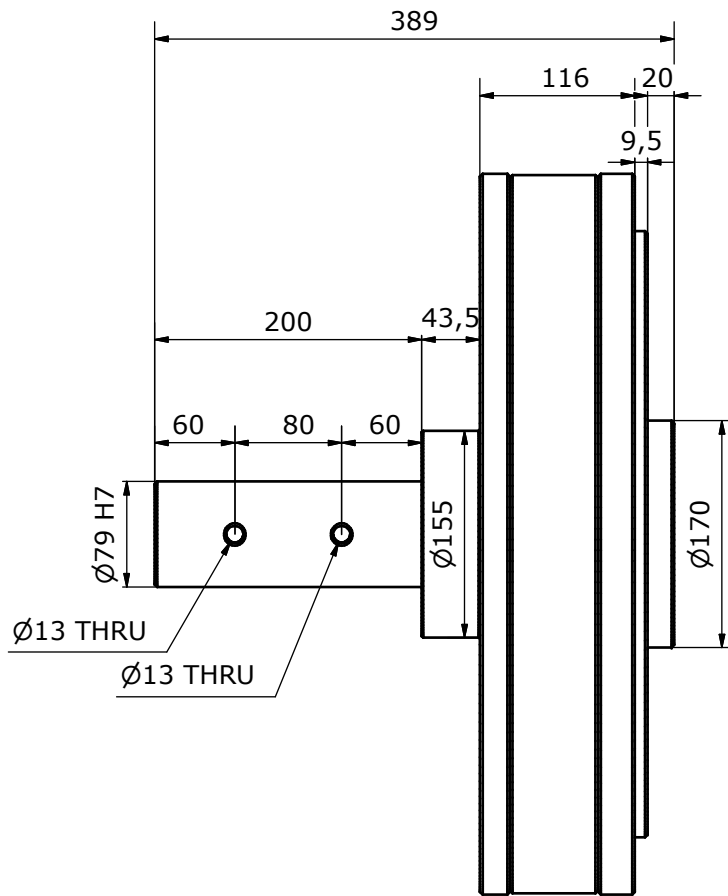
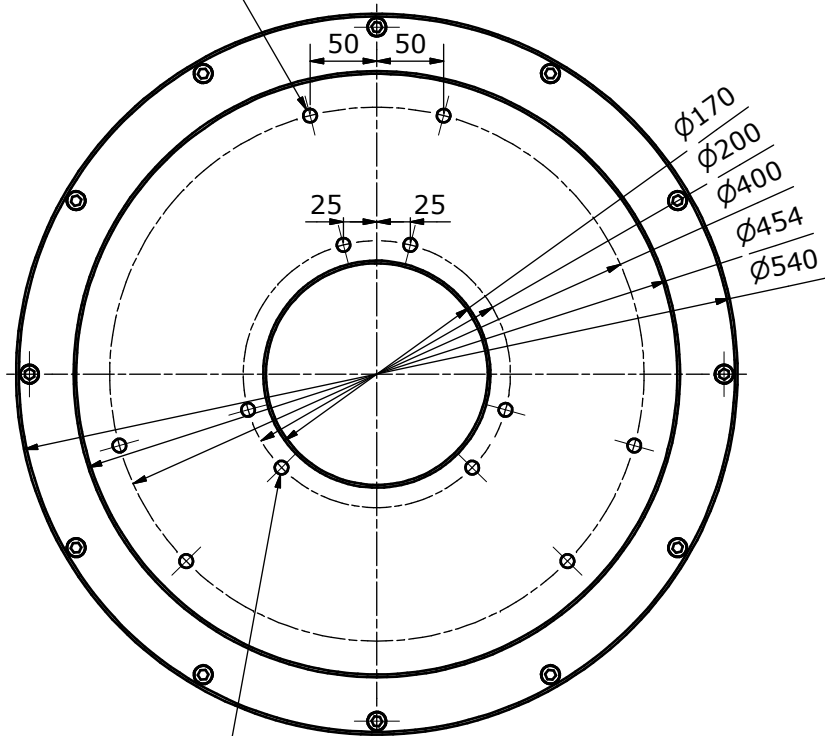


6 -M12x1.75 TAP DP25

6 -M12x1.75 TAP DP25

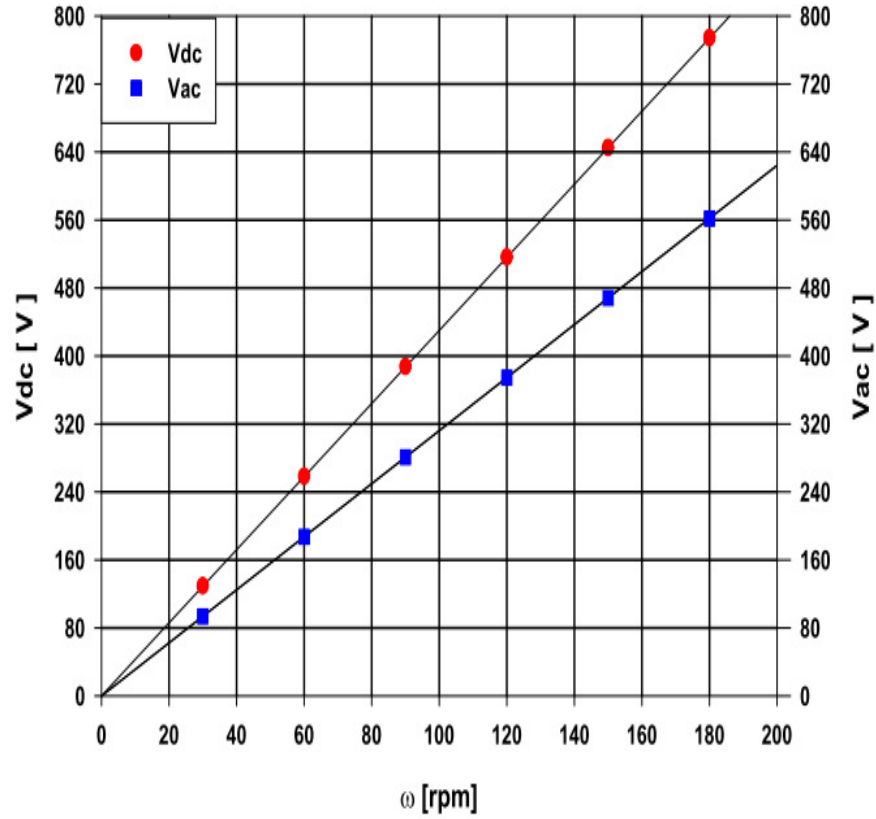


Technical Data

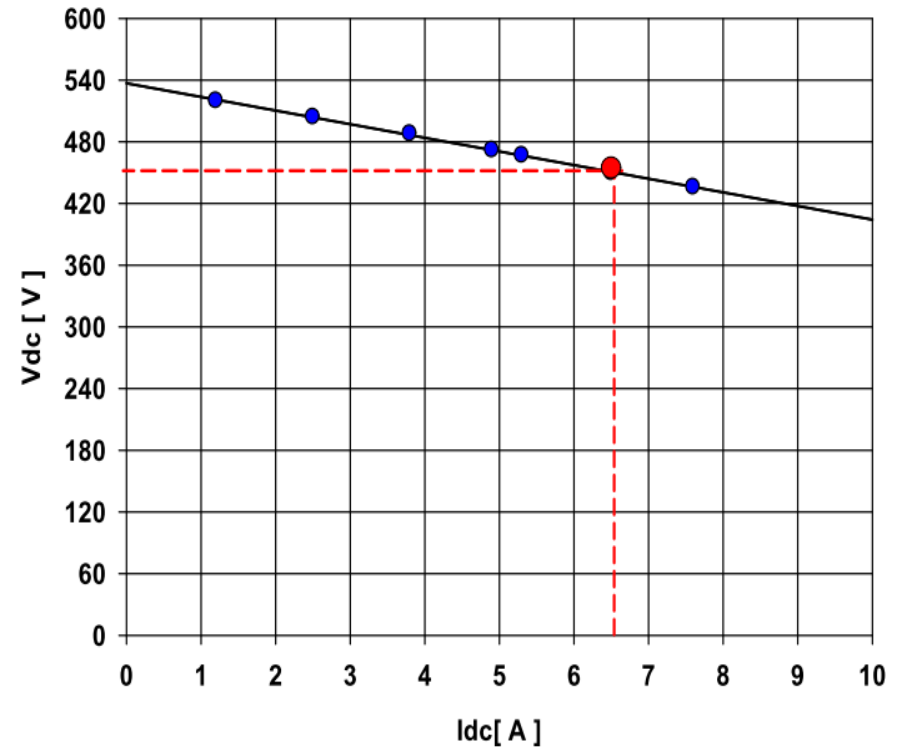
Description	Data
Output power (kW)	3.0
Rated speed (rpm)	120
Output voltage (3 phase AC or DC)	380VAC
Max. efficiency (%)	92
Number of poles	28
Speed constant (VDC/krpm)	4200
Resistance at 20C (Line-Line) (ohm)	13.4
Inductance (Line-Line) (mH)	87.7
Rotor Inertia (kg-m2)	2.843
Starting Torque (Nm)	<0.06
Generator Weight (kg)	100

			Projection	Scale	Size	Material
					A3	DVE Standard 1010200
Mrk	Approval/Rev	Date				PMGO-3K-120
Replace						Permanent Magnet
Design						Generator 3kW
Approval						
Confidential: Property of DVE-technologies ApS. Not to be handed over to, copied or used by third party. Two- or three dimensional reproduction of contents to be authorized by DVE-technologies ApS.						No. 90012
						1 / 2

No-Load



Load@120rpm



		Projection	Scale	Size	Material
				A3	DVE Standard 1010200
Mrk	Approval/Rev	Date			PMGO-3K-120
Replace					Permanent Magnet
Design					Generator 3kW
Approval					
Confidential: Property of DVE-technologies ApS. Not to be handed over to, copied or used by third party. Two- or three dimensional reproduction of contents to be authorized by DVE-technologies ApS.					No. 90012
					2 / 2